

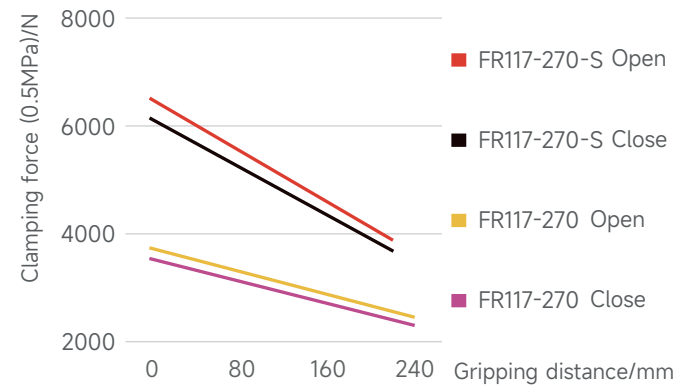
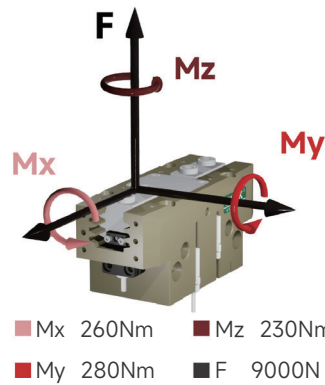
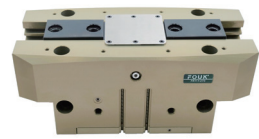
## Toothed parallel gripper series FOUK-FR

## FR117-270-M/S

### FR117-270

#### Static load-bearing torque

#### Gripping force curve



## FR 117 - 270 - S - B - P - NO - H

Serial No.	Cylinder bore	Shell length	Short stroke	Ventilation at bottom	Dust cover IP64	Self-locking form	High temperature resistance
FR Toothed parallel gripper			S Increased gripping force Standard version M	/ Ventilation on the side	/ Without dust cover	NO Self-locking by opening NC Self-locking by closing / Without self-locking	H -5~240°C / 0~60°C

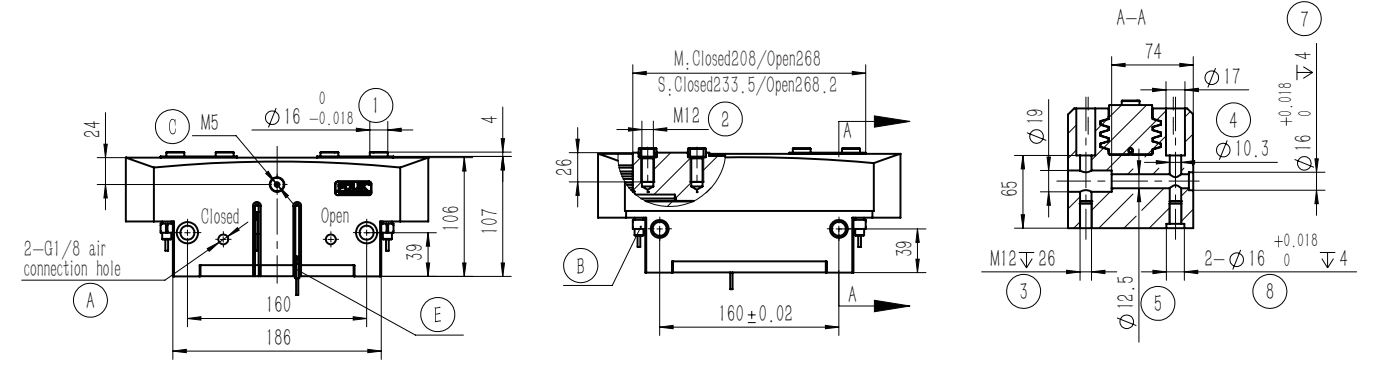
#### Inductive proximity sensor

IPSD-2NS-0831-L3	Inductive, NPN, 3-core3m
IPSD-2PS-0831-L3	Inductive, PNP, 3-core3m

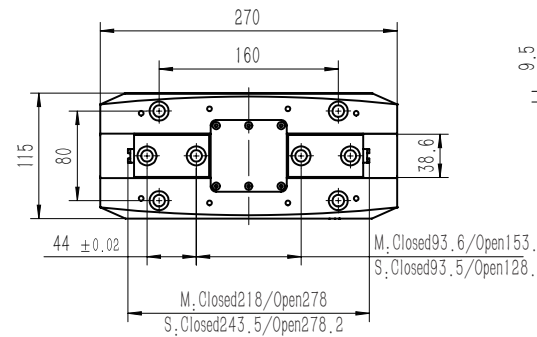
#### Magnetic proximity sensor

D-M9NAL	Magnetic, NPN, 3-core3m
D-M9PAL	Magnetic, PNP, 3-core3m

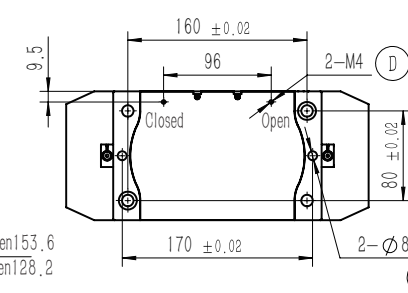
\*Two sensors are required for each gripper. For the detailed monitoring of two positions, see the sensor appendix.



- ① Gripping finger location pin bushing (standard)
- ② Mounting hole of gripping finger
- ③ ④ ⑤ Gripper mounting hole
- ⑥ ⑦ ⑧ Gripper mounting and positioning pin hole
- A Compressed air connection port
- B Location of inductive proximity sensor
- C Positive-pressure air blowing hole/grease injection hole
- D Bottom ventilation hole (version-B)
- E Location of magnetic proximity sensor



### FR117-270-B Ventilation at bottom



### FR117-270-NC/NO Self-locking

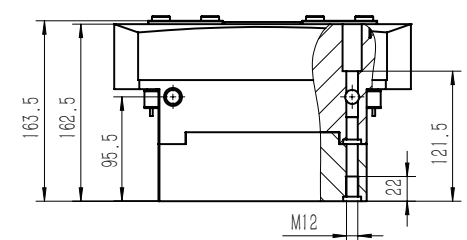
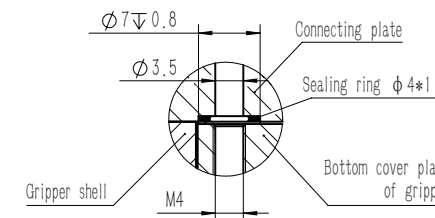
Built-in spring, mechanical self-locking

Product attributes	FR117-270	FR117-270-NO	FR117-270-NC	FR117-270-S	FR117-270-S-NO	FR117-270-S-NC	Unit
Single stroke	30	30	30	17	17	17	mm
Product weight	8.5	10.4	10.2	8.7	10.6	10.4	kg
Maximum allowable gripping distance	240	240	240	220	220	220	mm
Theoretical maximum gripping force: opening/closing	754P/714P	754P/-	-/714P	1300P/1230P	1300P/-	-/1230P	N
Minimum Spring Locking Force		1300	1300		2200	2200	N
Workpiece weight	25	25	25	43	43	43	kg
Opening/closing time	0.5/0.5	0.45/0.9	0.9/0.45	0.5/0.5	0.45/0.9	0.9/0.45	s
Gas consumption of single opening and closing cycle	4	6.6	6.4	4	6.6	6.4	L

P: Compressed air pressure [bar]

Gas consumption: volume of gas consumed at normal pressure (0.5MPa)

Repeated gripping accuracy/mm	± 0.04	Specification of air connection port	G1/8
Operating air pressure range/bar	3~8	Temperature range of application/°C	-5~60
IP rating	40	Maximum allowable single-finger gripping weight/kg	9



### FR117-270-P Dust-proof

Dust-proof module, IP64 for the positive-pressure air blowing hole after it, is connected to the compressed air of 0.05-0.10MPa, otherwise, IP50

